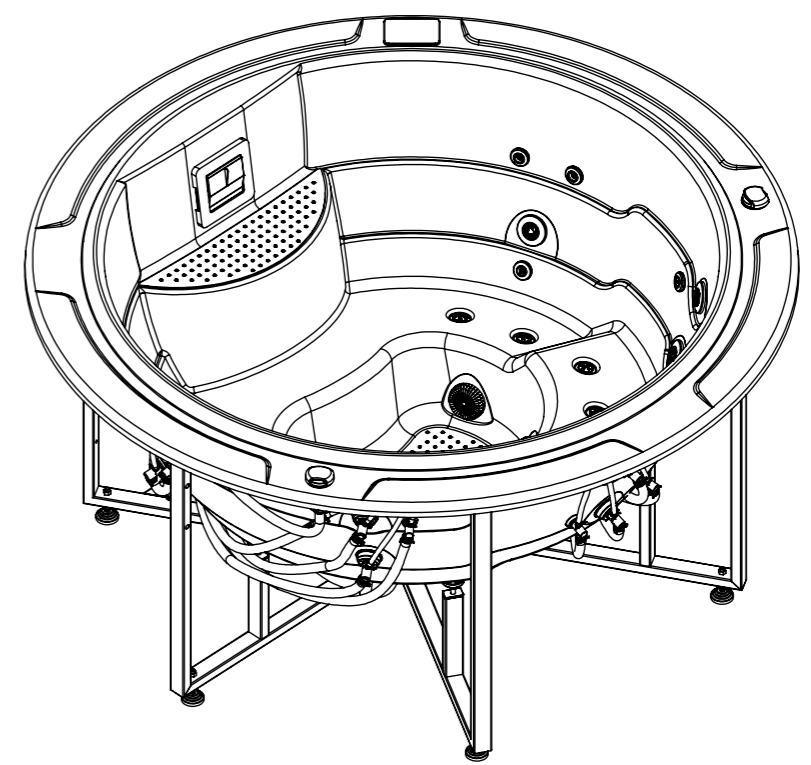


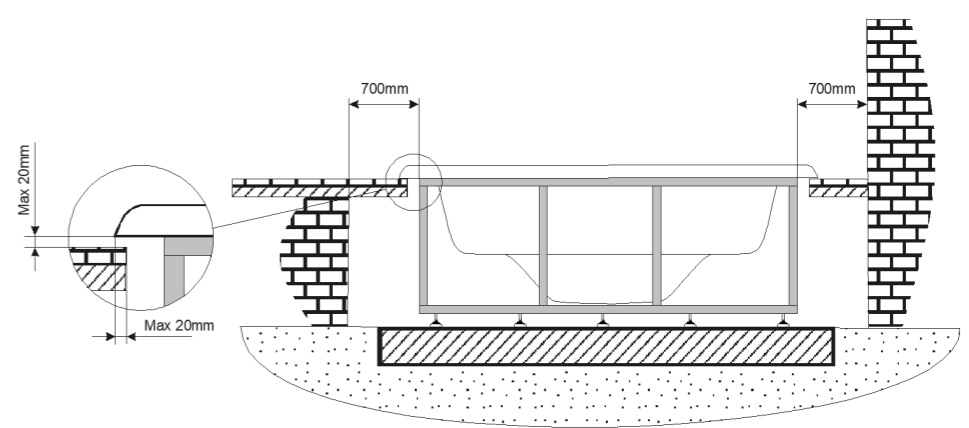
↑ ↑  
HYDRAULIC CONNECTIONS ACCESS

General specifications	
Spa weight (empty)	130 kg
Spa weight (filled)	810 kg

A	Suction-Water Massage Pump 1	Ø 63mm FEMALE SOCKET
B	Return-Water Massage Pump 1	Ø 63mm FEMALE SOCKET
C	Return-Air Massage	Ø 63mm FEMALE SOCKET
D	Suction-Filtration Pump Bottom Spa	Ø 63mm FEMALE SOCKET
E	Return-Filtration Pump Inlets	Ø 63mm FEMALE SOCKET



**WARNING:**  
It's essential to keep a minimum clearance access of **700mm** all around.



According to our policy of continuous improvement, dimensions, features or components of this product can be partially or completely changed without prior notice.  
It's Customer responsibility to verify that this is the last version of the drawing

06	28/09/2020	A.Miquel	Suidero de seguridad añadido.
05	19/02/2020	A.Miquel	Spa geometry changed.
04	09/01/2019	A.Miquel	Spa weight added.
03	17/12/2014	I.Pozo	Change tolerance heigh spa
02	22/10/2014	I.Pozo	Change scale and new spare template
Change No.	Date	Name	Modification

Remarks  
Dimensions in mm. General Tolerances +/- 10mm

COMMERCIAL

Drawn	22/12/2009	M.Freixes
Checked	-	I.Nicolas
Scale	1:15	General Tolerance
Sheet	1/2	DIN 7168 ISO 2768g



Part Number	49652	Rev.	06	First Angle Projection
-------------	-------	------	----	------------------------